

**КЕРАМИЧЕСКИЕ ПРЕДОХРАНИТЕЛИ**

**IVEHVT500-10R**

**AMPERE: 10-60A      I.R.: 20kA@500Vdc**

**VOLTAGE: 500VDC      TERMINAL: BT(M5/M6)**

**IVHVT500-10R**

**AMPERE: 10-60A      I.R.: 20kA@500Vdc**

**VOLTAGE: 500VDC      TERMINAL: BT(M5/M6)**

**IVHVT500-14R**

**AMPERE: 10-50A      I.R.: 20kA@500Vdc**

**VOLTAGE: 500VDC      TERMINAL: BT(M5/M6)**

**IVHVT700-10R**

**AMPERE: 10-50A      I.R.: 20kA**

**VOLTAGE: 700VDC      TERMINAL: BT(M5)**

**IVHVT750-10R**

**AMPERE: 10-50A      I.R.: 20kA**

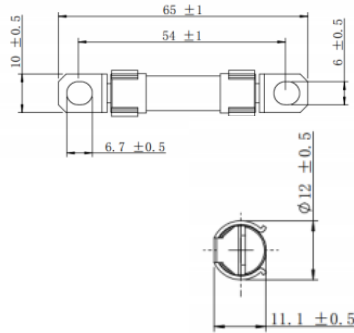
**VOLTAGE: 750VDC      TERMINAL: BT(M5)**

**IVHVT750-14R**

**AMPERE: 10-50A      I.R.: 20kA@750Vdc**

**VOLTAGE: 750VDC      TERMINAL: BT(M5/M6)**

**IVPHV1000-10R**



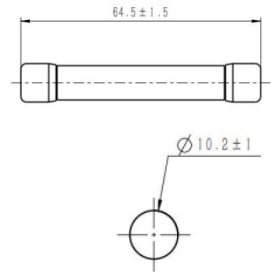
**AMPERE: 10-35A**

**I.R.: 30kA@1000Vdc**

**VOLTAGE: 1000VDC**

**TERMINAL: BT(M5)**

**IVPHV1500-10RS**

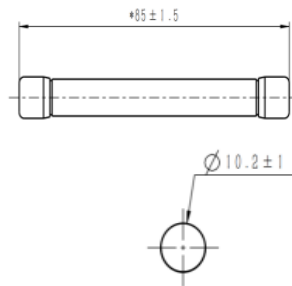


**AMPERE: 10-32A**

**I.R.: 30kA@1500Vdc**

**VOLTAGE: 1500VDC**

**IVPHV1500-10R**

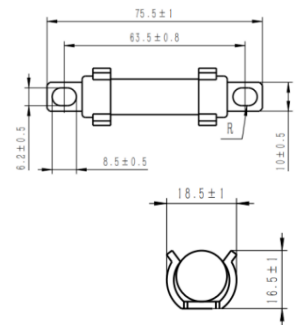


**AMPERE: 1-32A**

**I.R.: 30kA@1500Vdc**

**VOLTAGE: 1500VDC**

**IVPHV1500-14R**



**AMPERE: 10-32A**

**I.R.: 30kA@1500Vdc**

**VOLTAGE: 1500VDC**

**TERMINAL: BT(M5/M6)**